

fireline™
S T O V E S



A tradition of warmth and comfort

Charlton & Jenrick^{LTD}

Best of British fires, fireplaces & stoves



Scan to download
the free Layar App



INTERACTIVE PRINT



Download the free
Layar App



Scan pages displaying
the Layar icon



Discover
interactive content



A warm welcome to the new Fireline Stove Brochure

Once again I am very pleased to be able to offer a personal introduction to the latest Fireline stove range brochure. This new brochure is the first time we have presented the second generation of our hugely popular and successful range of FX FP stoves. Subtle design updates have been added, mostly as a direct result of constructive customer feedback.

Having worked in the domestic heating and fireplace industry for 27 years and spending the last 15 gradually focusing more on wood burning developments, it is clear that the market has changed out of all recognition. We have witnessed the resurgence of wood logs as a practical and economical everyday choice for the householder with an exciting visual flame picture that older stove designs simply could not offer.

Fireline multi-fuel stoves incorporate advanced, patented firebox combustion technology developed exclusively in our own Telford laboratory, which results in very clean burning and highly efficient stoves. Our wood-burning stoves begin at nearly 78% efficiency - where many other products peak - and rise to over 82% - but thermal efficiency is only a small part of the story. Our combustion technology harnesses the unique Fireline designed airwash as an integral part of the system and not an afterthought as seen on many older designs of stove.

All but the smallest Fireline 4kW wood-burning model have easily achieved DEFRA exemption for burning logs in smokeless zones, something of a formality for Fireline when clean burning is designed and developed into the products from conception.

This performance is the result of constant investment in research and development. Fireline's 100% in-house British 3D CAD designs are produced using the best materials and exacting assembly standards. Materials are selected using quality cast iron, stainless steel, mild steel, ceramic glass, castable refractories and high-grade heat resistant coatings.

Using the latest CNC laser-profiling and press-brake technology together with seam welding and traditional iron founding

techniques, Fireline stoves are designed, manufactured and independently certified to meet BS EN13240 and EN13229, in compliance with our ISO9001 accreditation.

Wood burning using a modern Fireline high performance stove is not only environmentally responsible but the powerful heating effect combined with the warm ambience of the flame pictures from huge air washed glass panels simply cannot be beaten.

Fireline stoves are designed and engineered to be extremely efficient and environmentally friendly. In order to get the full potential from our stoves we only recommend using top-quality fuel. For environmentally responsible production coupled with reliable and consistent high quality we recommend nationally available kiln dried firewood by Certainly Wood. See www.certainlywood.co.uk for further details. Other reputable national suppliers include Dalby Firewood - see www.dalbyfirewood.com for more details. Beware of firewood claimed to be dry but in fact needing a lot more seasoning to be useable - this happens far too often. Invest in a good moisture meter to be confident of the suitability of your fuel supply.

Fireline's base here in Telford is only a stone's throw from the birthplace of the industrial revolution at Coalbrookdale and the World Heritage Site of Ironbridge, where the very beginnings of modern industry were forged. Born and brought up in the West Midlands, it is very satisfying for me to be a very small part of the great British industrial story, designing and developing wood-burning and multi-fuel stoves specifically for the UK household.

Peter Mintoft
Director



Contents

5	Fireline Stoves - Key Features	18	FPi8 multi-fuel stoves
6	FX4/FP4 multi-fuel stoves	20	FPi8 multi-fuel stoves
8	FX5/FP5 multi-fuel stoves	22	FPW & FXW gas-burning stoves
10	FX5W/FP5W multi-fuel stoves	24	Specifications
12	FX8/FP8 multi-fuel stoves	27	Technical data
14	FPi5/FGi5 multi-fuel stoves	30	Stove package dimensions
16	FPi5T/FGi5T multi-fuel stoves	31	Stove packages



FP and FX Stoves **7 YEAR WARRANTY**

Get piece of mind with all Fireline FP and FX wood burning & multi-fuel stoves with 7 years extended parts warranty as standard. Full details and terms & conditions can be found on our website www.charltonandjenrick.co.uk

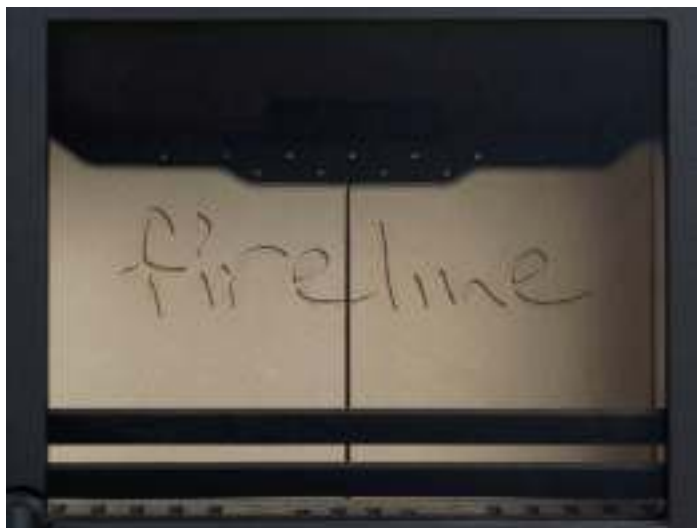
Fireline Multi-fuel Stoves

Key Features

- 5mm and 10mm thick laser profiled and seam-welded steel construction for strength and long life. Increased thickness of top plate of stove now 10mm on freestanding models.
- Draught-controlled tertiary air system.
- New contoured touch air controls knobs on all freestanding models.
- Soft cool touch handles on all freestanding models.
- High-quality cast iron doors.
- New cast ceramic liner boards (freestanding & inset models) which are extremely durable and self cleaning.
- Rotary cast iron grates on all freestanding models.
- All freestanding models fitted with solid fuel burning kits as standard.
- All inset stoves now multi-fuel capable.
- New Stainless-steel bar handle on inset models.
- New Stainless-steel multi tool supplied with all stove models.
- Interchangeable top or rear flue outlet on free standing models.
- Powerful effective airwash.
- Exceptionally large ceramic glass window.
- Stainless steel ash pan and fixings.
- Very clean burning.

TTi Airwash System

Fireline's integral patented TTi airwash system is a self-regulating system that provides a clean burn, and reduced CO and particulate emissions, resulting in very high efficiency and exceptionally clean glass.



For expert advice and new product information, follow us on Twitter [@cJfires](#)



FX4 with curved door model



FP4 with square door model



FX4 curve door model shown in Limestone Burcombe with chamber



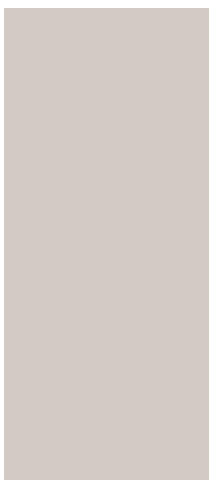
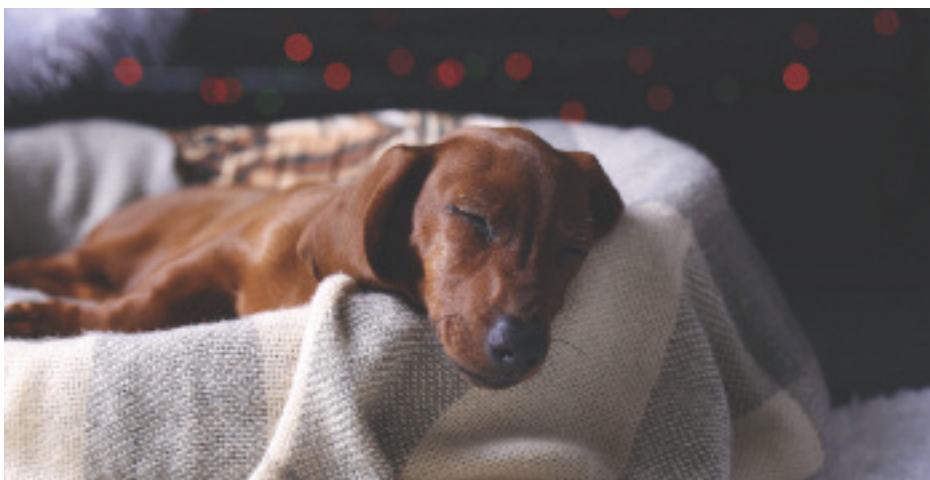
FP4 square door model shown in Beckford with chamber

Fireline FX4 & FP4 multi-fuel stoves

Superior, large-stove performance from a petite, narrow design means that these models combine the efficiency and economy of a small stove with the enhanced performance of a much larger model. Continuous research and development have created a clean-burning heat that gives a cleaner, greener environment. Fitting virtually any aperture, this attractive design is freestanding. There is a choice of square or curved door styling, both of which offer superb flame pictures whether you burn wood or other fuels.



FP5 square door model shown in limestone Aylesbury and chamber





FX5 with curved door model



FP5 with square door model



FX5 Curve door model shown in Limestone Camelia with chamber

Fireline FX5 & FP5 multi-fuel stoves

Traditional or contemporary, these new 5kw multi-fuel stoves look as harmonious in a farmhouse inglenook as they do in a newly built town house. Both stoves are freestanding, with either a curved or square door and large flame picture. For people living in a smoke-controlled area, these Fireline stoves are DEFRA exempt for wood burning. This means they meet the latest UK Clean Air Act, giving a greener source of heat.



FX5W with curved door model



FP5W with square door model

Fireline FX5W & FP5W multi-fuel stoves

The FX5W & FP5W give the large looks of the 8kW wide screen stove but maintaining the nominal heat output at 5kW. This is achieved by a subtle reduction in depth of the grate area whilst the overall 500mm width of the stove is the same as the larger 8kW model. This means that full 375mm logs can be accommodated on the standard multi-fuel grate, which incorporates a rotary riddle mechanism using well proven principles. With a firebox lined with ceramic clean burn liners and Fireline's own patented firebox air supply technology, clean burning was assured from the beginning – CE and DEFRA compliance were formalities. 79% efficiency ensures top levels of fuel economy and the highly effective, proven Fireline airwash system gives fabulous views of the fire through the large glass panel.



FX5W shown on Midi Log Store





FP5W square door model shown in Aylesbury
with Grey Slate Liners and Limestone Back Hearth



SCAN THIS PAGE
WITH LAYAR APP



FX8 curved door model shown
in Limestone Rembrandt with chamber



FX8 with curved door model



FP8 with square door model

Fireline FX8 & FP8 multi-fuel stoves

The FX8 and FP8 stoves are big, heavyweight, freestanding designs, made from steel with a traditional cast iron door with extra-wide, ceramic glass, flame viewing window. Ideally suited to larger rooms, these stoves can pump out a really serious amount of heat. Both stoves have exactly the same specifications, except for the door design, where you have a choice of either a square or a curved door feature. Whichever one you choose, the extra-wide flame picture will enhance even the biggest room.



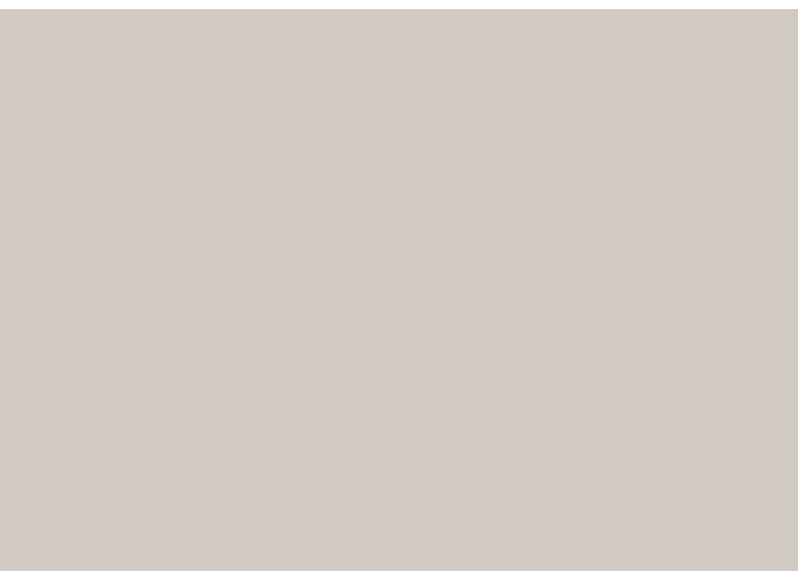
FP8 square door model shown in Mafra Limestone mantel with black granite chamber and hearth



Fireline FPi5 & FGi5 multi-fuel stoves

Create a stunning impression in your living room and enjoy the pleasure of a real wood-burning stove. Today's stoves burn wood efficiently and cleanly, providing maximum heat and a focal point in any home. The 16" x 22" FPi5 has been designed to fit virtually any standard Class I chimney. This means fitting should be easy, with little building work required. This fire is DEFRA exempt for burning wood in smoke-controlled areas being multi-fuel means you also have the option of burning solid fuel. When married with a Fireline limestone mantel, such as the Beckford shown above, the effect can be truly stunning. The stove comes with a choice of a solid cast iron door (FPi5) or with a double-glazed glass door (FGi5).

FPI5 inset stove in
Limestone Beckford



Fireline FPi5T & FGi5T multi-fuel stoves

FPi5T and FGi5T is a 16" multi-fuel tapered stove designed to fit in a fireplace opening without the need to remove the fire brick. The design was driven directly by requests from customers for a much-improved view of the fire in an easy-to-fit tapered stove firebox. With its very large ceramic glass panel, this model differs from every other 16" tapered stove on the market by giving the customers the maximum possible fire view in its size class. Performance has not been compromised either due to the advanced combustion chamber design easily achieving DEFRA exempt performance and 80% efficiency with clear glass provided by a powerful airwash. A full 5kW nominal rating on wood or smokeless fuel is the result, which provides an excellent choice for those not wishing to remove their tapered fireback. The stove comes with a choice of either a cast iron door or a modern fully glazed black glass door.



FPi5T stove with solid cast iron door shown in limestone Stonehenge with black granite hearth and back panel

FGi5T stove with fully glazed glass door

FITS INTO
EXISTING
FIREBRICK

Can be fitted 5" away from
a 6" combustible shelf when
fitted with the optional heat
deflector supplied.





FPi5W inset shown in Limestone Stocksay

Fireline FPi5W & FGi5W multi-fuel stoves

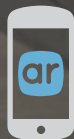
FPi5W is a mid-sized 5kW rectangular inset multi-fuel stove designed to fit 20" fireplace openings to neatly offer a mid-sized firebox unit retaining a 5kW nominal rating. The firebox technology is well adapted to this size thereby maintaining 80% efficiency and DEFRA exempt standards of clean combustion. The stove comes complete with a high-quality stainless steel ashpan, so no compromise on ash removal over a multi-fuel stove is necessary. It comes with a choice of either a cast iron door or a black doubled glazed glass door.



FGi5W with four sided trim in wall

FPI8 Inset stove
shown set in the wall
with a four-sided trim





SCAN THIS PAGE
WITH LAYAR APP

Fireline FPi8 multi-fuel stoves

A classical yet contemporary design, the FPi8 features a truly stunning wide flame window that gives this model a superb room presence. The extra-large fire chamber accepts logs over ½ metre in length, which results in a longer burn and more efficient heating, not to mention the time saved in cutting small logs. The stove is available with a choice of a three- or four-sided trim and, when married with one of our limestone mantels such as the Edgemon shown at the bottom of the page, the effect is a real show-stopper.



FPi8 inset shown in Limestone Edgemon



Fireline FPW & FXW gas-burning stoves

As with our range of multi-fuel stoves, these two new gas-burning models are manufactured with the same heavy-duty, seam-welded steel bodies, cast doors and adjustable feet. Installation is made flexible, with a choice of flue and venting options, allowing the stove to be fitted in Class 1, Class 2 and pre-cast flues. The stove can also be top-vented for a more traditional inglenook setting. The highly realistic log fuel beds are viewed through a large panoramic window and performance is controlled by a single knob, allowing the stove to deliver a net thermal efficiency of up to 78%. It all adds up to make the FPW and FXW stoves a must for today's busy households.

FPW Gas stove shown in Aylesbury limestone suite



FXW Gas stove with curved door



Fireline FXW BF & FPW BF gas burning stoves

Following on from the huge success of the conventional flue Fireline gas stoves (page 22-23) we are pleased to be able to offer the balanced flue models. Like all the stoves in this brochure the stoves are manufactured with heavy-duty, seam welded steel bodies, cast doors and adjustable feet. Like the conventional flue stoves they have highly realistic fuel bed and a large panoramic window. The stove is controlled using an infra-red remote handset for ease and arm chair control. The stoves deliver an impressive thermal net efficiency of up to 88%.



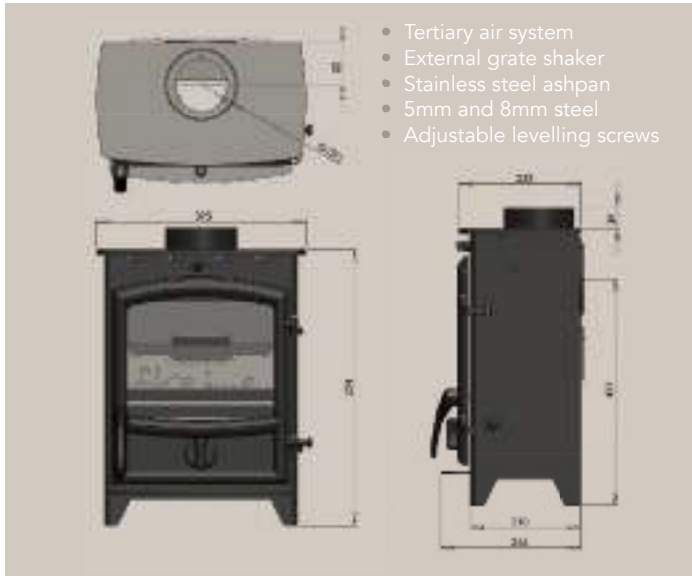
BF gas stove with curved door



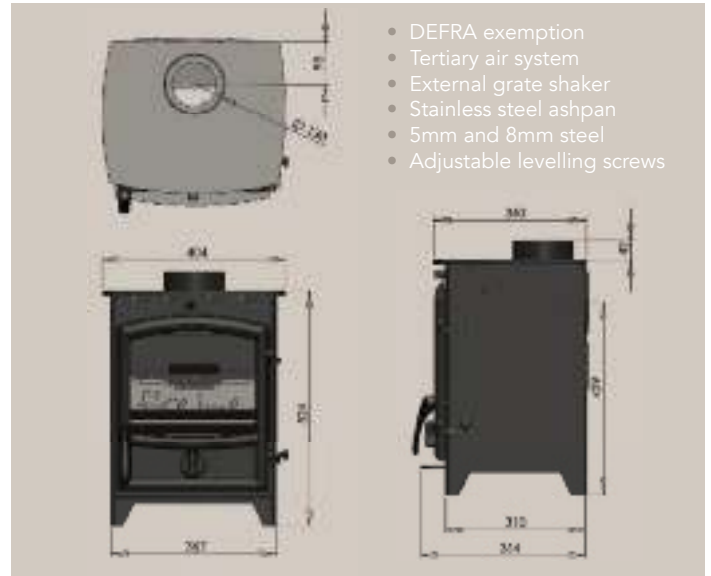


BF gas stove with square door

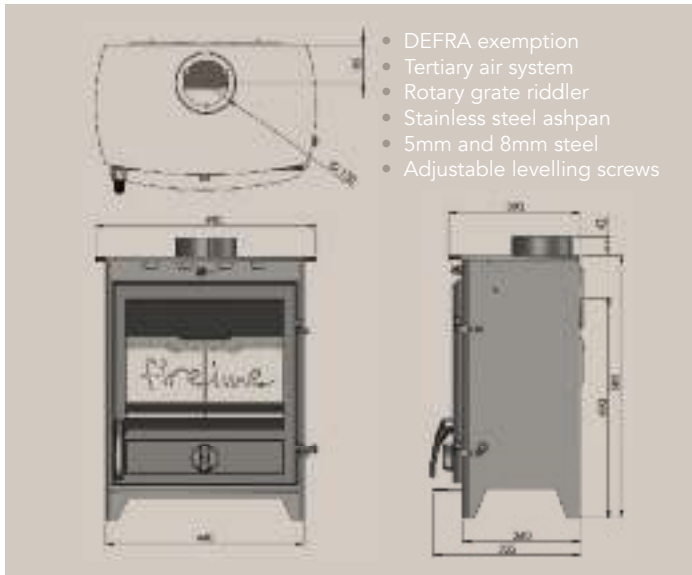
Fireline FX/FP Range Dimensions & Specifications



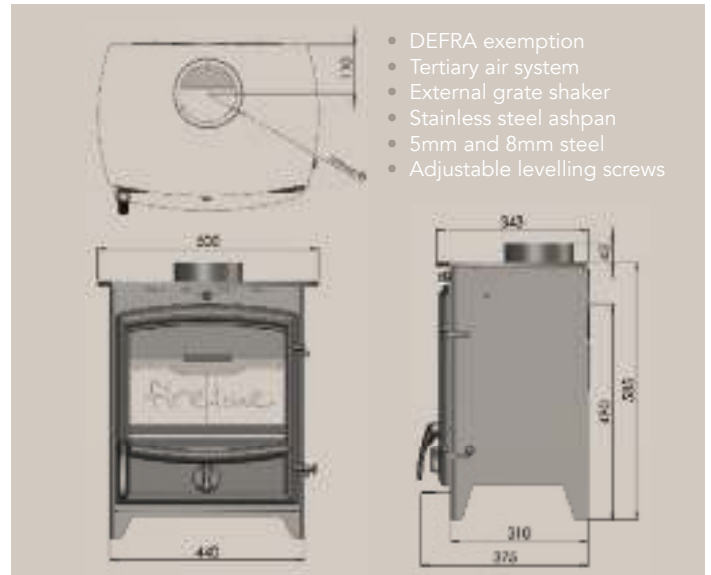
FX4 & FP4 (FX4 shown)



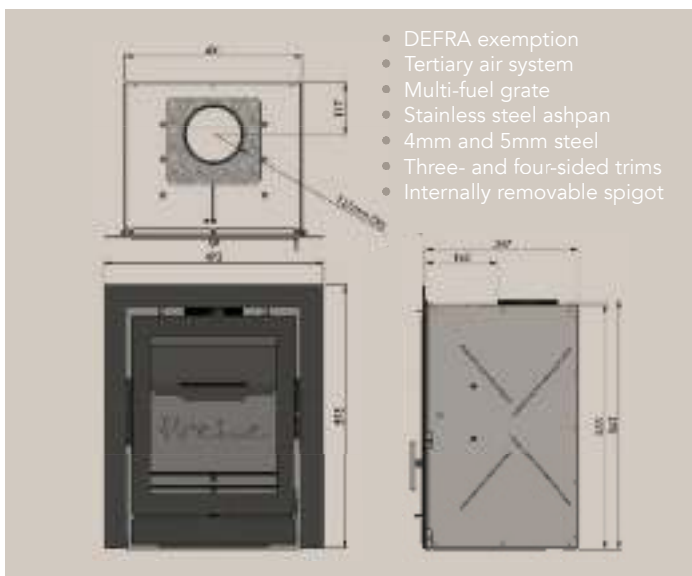
FX5 & FP5 (FP5 shown)



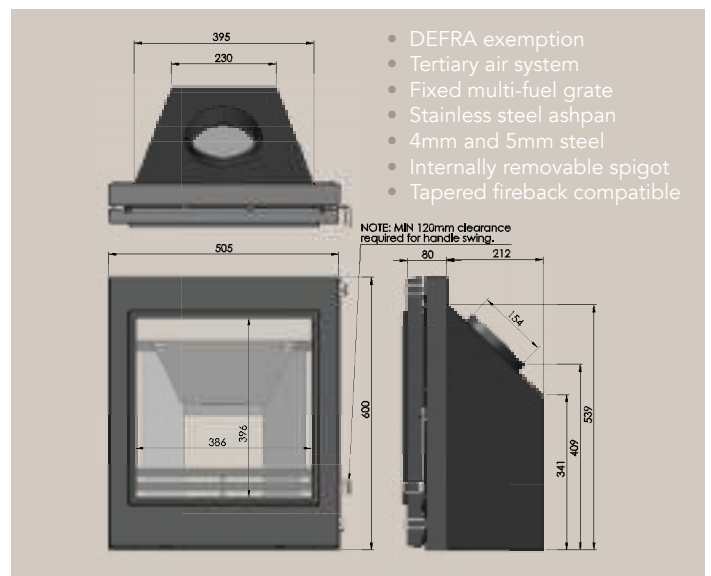
FX5W & FP5W



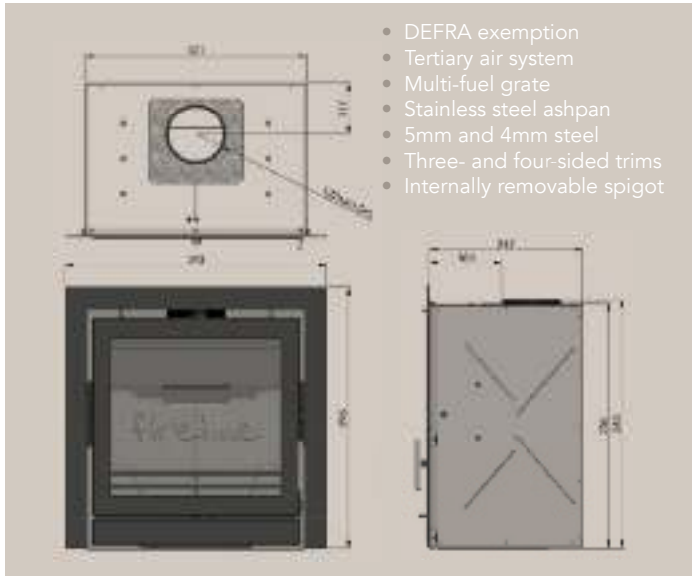
FX8 & FP8 (FX8 shown)



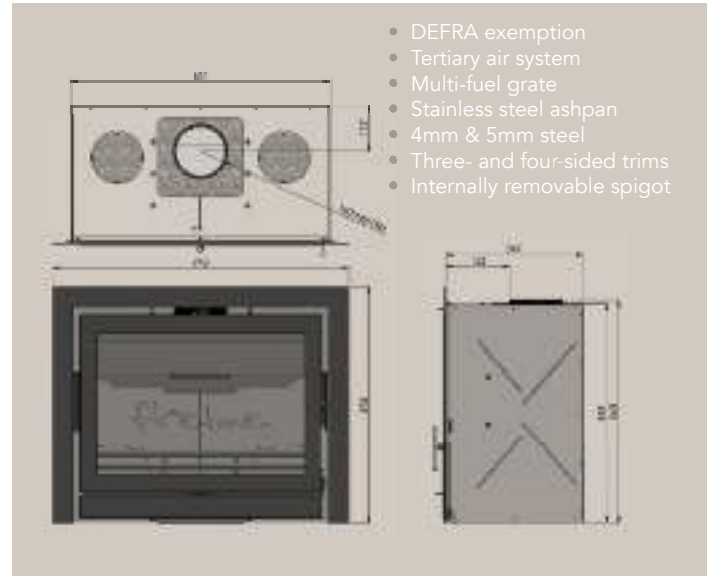
FPi5 & FGi5



FPi5T & FGi5T



FPi5W & FGi5W



FPi8

FX/FP RANGE MULTI-FUEL STOVES								
MODEL	FX/FP 4	FX/FP 5	FX/FP 5W	FX/FP 8	FPI/FGi 5	FPI/FGi 5T	FPI/FGi 5W	FPi 8
Fuel:	Solid fuel or wood	Solid fuel or wood	Solid fuel or wood	Solid fuel or wood	Solid fuel or wood	Solid fuel or wood	Solid fuel or wood	Solid fuel or wood
Flue:	Top & Rear	Top & Rear	Top & Rear	Top & Rear	Top (inset)	Top (inset)	Top (inset)	Top (inset)
Flue diameter:	127mm (5")	127mm (5")	127mm (5")	152mm (6")	127mm (5")	152mm (6")	127mm (5")	127mm (5")
Finish:	Matt Black	Matt Black	Matt Black	Matt Black	Matt Black	Matt Black	Matt Black	Matt Black
Appliance gross weight (Kg):	54	69.5	74	81	64.5	75	80	90
Efficiency (%):	78/82.4**	81.5/82.1**	79/75.4	78.6/81**	80.3	80/72	80	78.1
Declared nominal output (kW)	4/4.5**	5/5**	5/5**	7.6/8**	5	5	5	8
Flue gas mass flow (g/s):	3.9/2.7**	3.5/2.8**	5.1/4.5**	5.8/4.0**	3.9	3.9/4.6	4.3	6.4
Flue temp (C)	235/205**	250/239**	229/276**	302/329**	261	279/321	262	291
Max log length:	300mm 12"	300mm 12"	375mm 14.5"	375mm 14.5"	300mm 12"	2-300mm 9-12"	395mm 15.5"	540mm 21.25"

** For multi-fuel stoves, figures are shown for both fuels: wood/solid.



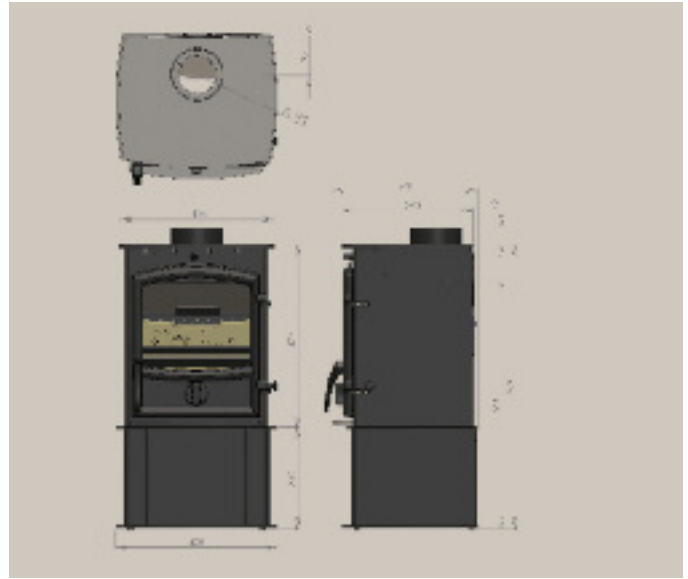
Please note: Our policy is one of constant development and improvement. We therefore reserve the right to revise the specification and design of our stoves without formal notice. This leaflet is presented as a guide to aid in your decision and does not replace the need for technical assessment by your dealer. While the utmost care was taken in the preparation of this brochure, it is not intended to replace the installation manual which provides more detailed information. Photography is for illustration purposes only and does not replace the need to see the stove in a showroom. We accept no liability for any loss or damage arising either directly or indirectly from the use of this brochure.

All designs in this brochure are design or copyright registered. Fireline, without exception, will take action against any infringements of its designs.

Midi Stand Range Dimensions & Specifications



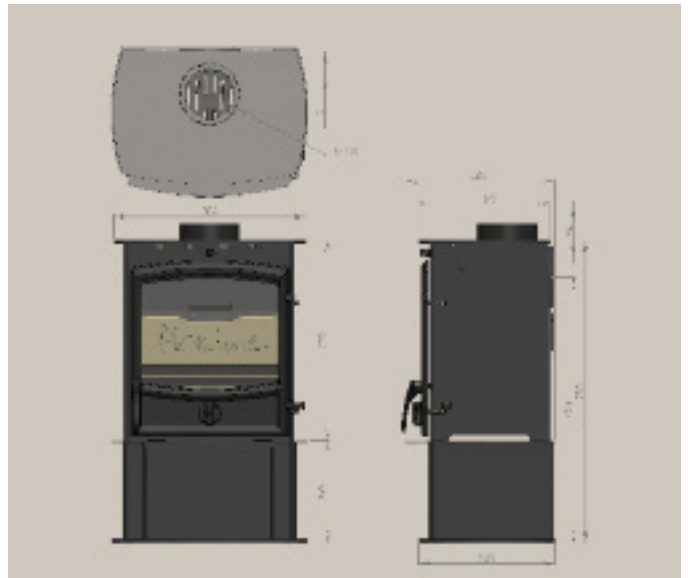
4kW Stove on Midi Stand



5kW Stove on Midi Stand



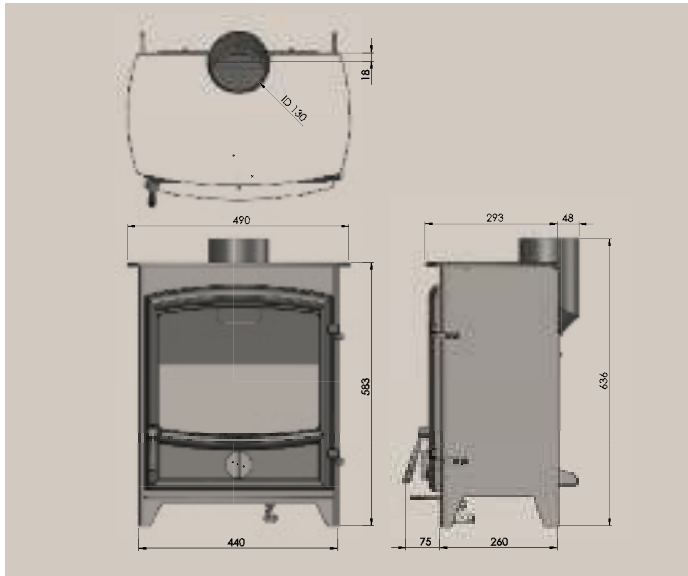
5kW Wide Stove on Midi Stand



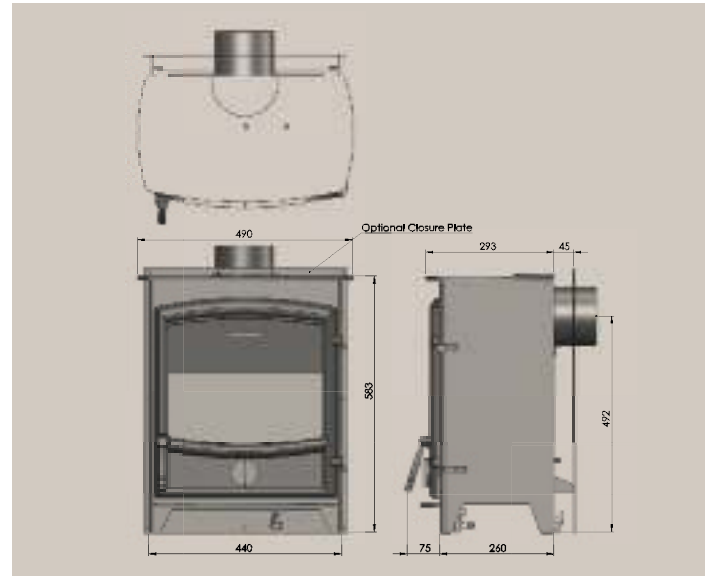
8kW Stove on Midi Stand



Fireline FX/FP Range Dimensions & Specifications



Conventional Flue Gas Stove – Top Connection



Conventional Flue Gas Stove – Rear Connection

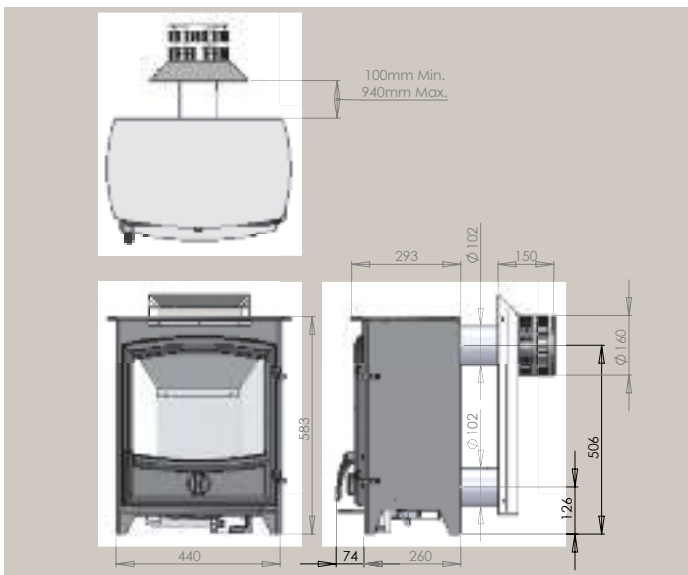
Specifications

Free-standing, traditional stoves, featuring life-like ceramic log beds

- Free-standing gas stoves
- Natural gas or LPG
- Conventional Flue can be fitted into Class 1, Class 2 and pre-cast flues
- Flue and venting options
- Balanced flue rear vented
- Ceramic log fuel bed
- Up to 88% efficient

FXW/FPW RANGE GAS STOVES

	CONVENTIONAL FLUE		BALANCED FLUE	
	NATURAL GAS	PROPANE (LPG)	NATURAL GAS	PROPANE (LPG)
Gas Type:	Category 12 H	Category 13 P	Category 12 H	Category 13 P
Gas Pressure:	20mbar +/- 1.0mbar	37mbar +/- 1.0mbar	20mbar +/- 1.0mbar	37mbar +/- 1.0mbar
Pressure test point location:	Gas inlet elbow	Gas inlet elbow	Gas inlet elbow	Gas inlet elbow
Gas input maximum:	5.5kW Gross	5.0kW Gross	5.4kW Gross	4.9kW Gross
Gas input minimum:	2.4kW Gross	2.4kW Gross	2.4kW Gross	2.4kW Gross
Injectors:	MK 360	MK 116	MK 360	MK 116
Oxy pilot:	9044 N.G.	9222 L.P.G.		
Gas connection:	8mm compression: semi-rigid or rigid			
	Data Badge located on inside of door or on plate attached to the rear of stove. Net Efficiency 88% Gross Efficiency 70%. Independently verified to BS EN 613		Data Badge located on inside of door or on plate attached to the rear of stove. Net Efficiency 88% Gross Efficiency 79%. Independently verified to BS EN 613	



Balanced Flue Gas Stove – FXW BF & FPW BF



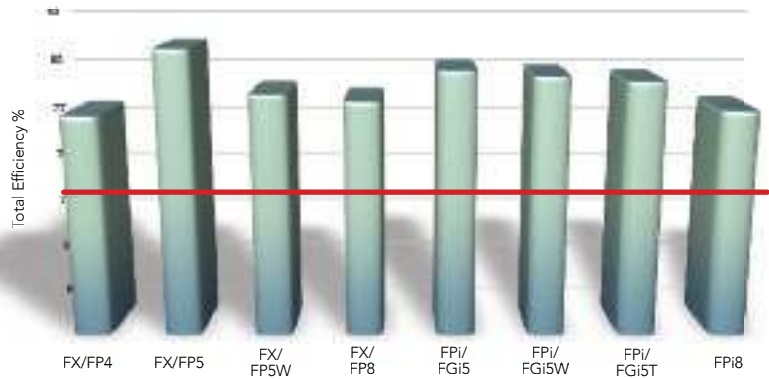
Fireline FX/FP Range Technical Performance Details

Quality stoves are much more than just a metal box at the bottom of the chimney. Considerable efforts are required to ensure that the stove can be thermally efficient and many further developments are required to make a stove fully clean burning. Stoves are often incorrectly considered 'clean burning' just because they have an airwash, but the hard truth is that even stoves with an airwash system and good thermal efficiency can still be dirty burners. Fireline stoves are both highly thermally efficient and genuinely clean burning, with DEFRA wood-burning exemption achieved on all 5kW and above models. Some of the following measures demonstrate just how well all our stoves burn wood.

Total Efficiency to EN 13240/13229 - %

Total efficiency is the overall effectiveness of the stove in converting the kW content of fuel into heat that you will feel in your room. This must be measured by an independent test house to BS EN 13240 or 13229 to be comparable with other stoves.

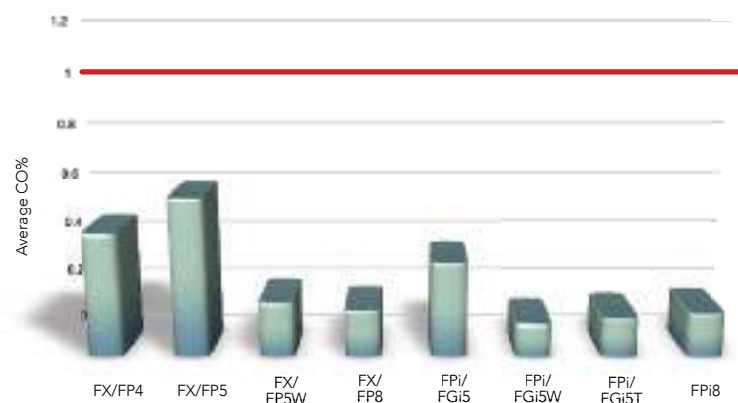
Total efficiency is not a measure of clean burning in any way. It is quite possible to have a stove with high thermal efficiency that burns with plenty of smoke, or a clean burning stove with low efficiency. However Fireline has worked especially hard to bring you a range of stoves that are both highly efficient and very clean burning. All our FX/FP stoves far exceed the minimum efficiency required by Building Regulations as the graph shows.



	FX/FP4	FX/FP5	FX/FP5W	FX/FP8	FPI/FGi5	FPI/FGi5W	FPI/FGi5T	FPI8
Efficiency %	77.8	81.5	79	78.6	80.3	80	79.7	78.1
Minimum Limit	71.4	71.4	71.4	71.4	71.4	71.4	71.4	71.4

Carbon Monoxide - % @ 13% O2

The UK's limit for carbon monoxide emissions is higher than some other EU countries but this has not stopped Fireline putting considerable R&D effort into reducing CO. As the graph illustrates, even our very first stove designs were 40% below EN maxima and recent products achieve levels 80-85% below limits. It goes without saying that Fireline will continue to invest in R&D to strive for further reductions on all models.

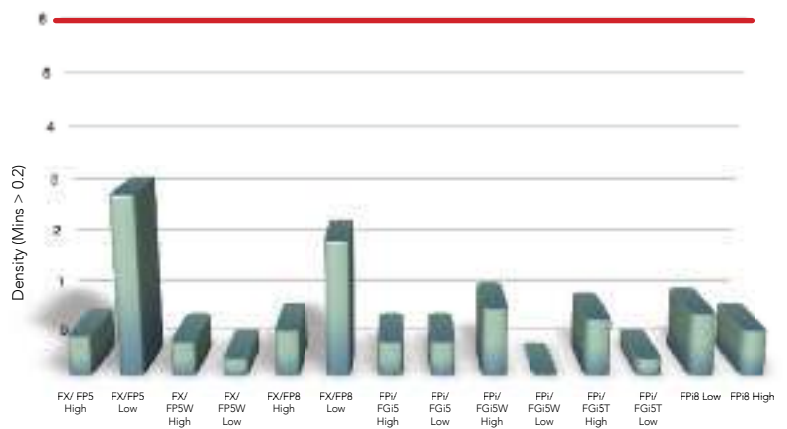


	FX/FP4	FX/FP5	FX/FP5W	FX/FP8	FPI/FGi5	FPI/FGi5W	FPI/FGi5T	FPI8
Average CO%	0.47	0.6	0.21	0.18	0.36	0.13	0.15	0.17
CO Maximum Limit %	1	1	1	1	1	1	1	1



Flue Gas Optical Density - Time Exceeding 0.2 minutes

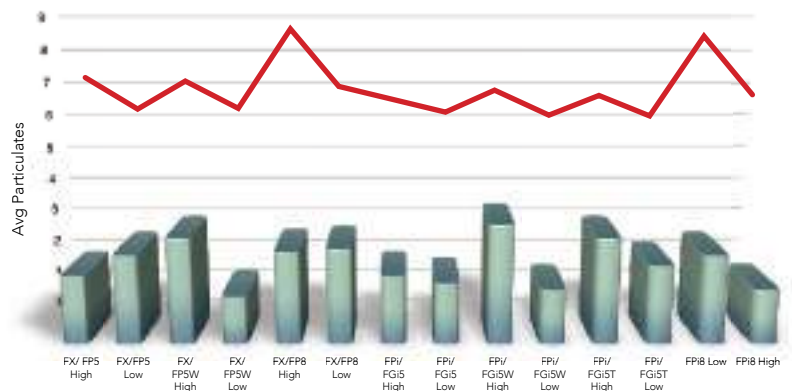
Optical density is a measure of the visible smoke that a stove produces and is an indication of what might be seen at a chimney top once installed. This data is a measure of the cleanliness of the burn used for DEFRA smokeless compliance and relates directly to real clean burning. The graph shows that Fireline stoves burn very cleanly and do not exceed 0.2 density for anywhere near the permitted time. Our best stoves achieve less than 10% of the limit already, but as always Fireline will be looking to improve new models still further.



	FX/FP5 High	FX/FP5 Low	FX/FP5W High	FX/FP5W Low	FX/FP8 High	FX/FP8 Low	FPI/FGI5 High	FPI/FGI5 Low	FPI/FGI5W High	FPI/FGI5W Low	FPI/FGI5T High	FPI/FGI5T Low	FPI8 High	FPI8 Low
Density (Mins > 0.2)	0.7	3.2	0.6	0.3	0.8	2.4	0.6	0.6	1.2	0	1	0.3	1.1	0.8
Density Limit (Mins > 0.2)	6	6	6	6	6	6	6	6	6	6	6	6	6	6

Particulate Emissions

Particulates are microscopic soot, ash and other particles emitted in stove smoke and are an accurate measure of the cleanliness of the burn achieved within the firebox. Unlike other tests that only collect a fraction, this UK method electrostatically collects 100% of the particulates emitted during a whole burn cycle. A lot of stoves, especially cheap ones, have no control over what comes out of the chimney and so would not even come close to the limits required. However Fireline stoves easily exceed the requirements by a massive 50-78% as the graph shows. Particulates will be closely controlled by law in future due to concerns over health effects, so Fireline is putting in significant efforts to reduce these emissions on all its stoves.

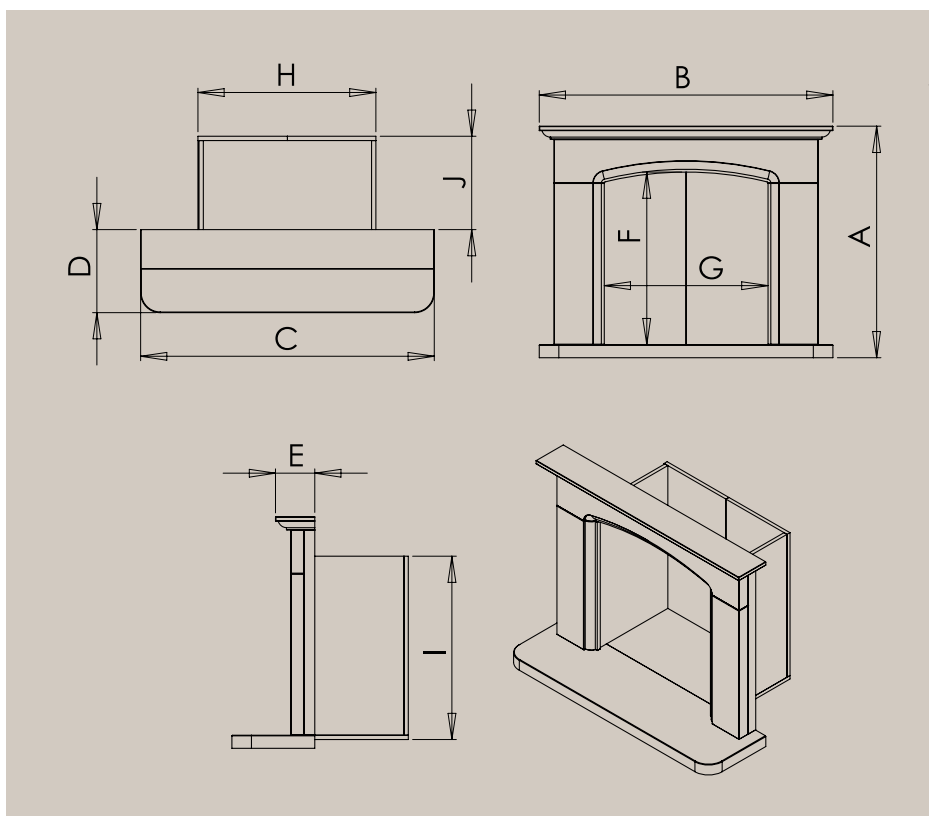


	FX/FP5 High	FX/FP5 Low	FX/FP5W High	FX/FP5W Low	FX/FP8 High	FX/FP8 Low	FPI/FGI5 High	FPI/FGI5 Low	FPI/FGI5W High	FPI/FGI5W Low	FPI/FGI5T High	FPI/FGI5T Low	FPI8 High	FPI8 Low
Avg Particulates	2	2.6	3.1	1.4	2.7	2.8	2	1.8	3.5	1.6	3.1	2.3	2.6	1.6
Particulate Limit	7.4	6.5	7.3	6.5	8.8	7.1	6.8	6.4	7	6.4	6.9	6.3	8.5	6.9

Stove Packages

Throughout this brochure you will see wonderful examples of stoves in packages with fireplaces. Below are details of the stove packages that are shown in this brochure. More are available; please speak to your authorised Fireline dealer for details. To find your nearest Fireline showroom use the store locator on our website:

www.charltonandjenrick.co.uk/brands/fireline/store-locator/



STOVE PACKAGES

<i>All measurements displayed in mm</i>	Shown on Page	A	B	C	D	E	F	G	H	I	J
Burcombe FX4 Free-standing Stove Package	6	1060	1220	1220	410	170	810	760	820	870	438
Beckford FP4 Free-standing Stove Package	7	1060	1220	1220	410	150	766	766	800	810	398
Aylesbury FP5 Free-standing Stove Package	8	1160	1370	1370	410	220	837	810	900	850	362
Camellia FX5 Free-standing Stove Package	9	1120	1284	1320	383	176	805	798	845	870	358
Aylesbury FP5W Free-standing Stove Package Slate Liners	11	1160	1370	1370	410	220	837	810	900	850	362
Rembrandt FX8 Free-standing Stove Package	12	1190	1350	1370	380	126	908	910	950	935	398
Mafra FP8 Free-standing Stove Package	13	1200	1475	1475	380	200	910	909	950	935	393
Beckford FPI5 Inset Stove Package	15	1060	1220	1220	410	150	766	766	n/a	n/a	n/a
Stonehenge FPI5T Inset Stove Package	16	1155	1320	1370	380	150	890	910	n/a	n/a	n/a
Stokesay FPI5W Inset Stove Package	18	1070	1375	1375	410	245	760	800	n/a	n/a	n/a
Edgmond FPI8 Inset Stove Package	20	980	1500	1570	380	160	620	825	n/a	n/a	n/a
Aylesbury FP5W Free-standing Stove Package Gold Quartz Liners	Front Cover	1160	1370	1370	410	220	837	810	900	850	362
Leighton FX5W Free-standing Stove Package Gold Quartz Liners	34	1085	1220	1220	350	200	775	745	835	915	457
Wave FX5W Free-standing Stove Package Slate Liners	34	1112	1272	1372	390	160	814	872	860	870	428



Burcombe FX4 Package



Beckford FP4 Package



Aylesbury FP5 Package



Camellia FX5 Package



Rembrandt FX8 Package



Mafra FP8 Package



Beckford FPi5 Package



Stonehenge FPi5T Package

Stove Packages



Stokesay FPi5W Package



Edgemond FPi8 Package



Aylesbury Gold Quartz Liners FP5W Package



Aylesbury Grey Slate Liners FP5W Package



Leighton Gold Quartz Liners FX5W Package



Wave Grey Slate Liners FX5W Package







British
engineering
at its best



Fireline

Charlton & Jenrick Ltd,

Unit D, Stafford Park 2, Telford, Shropshire TF3 3AR

Tel: 0845 519 5991 e-mail: sales@charltonandjenrick.co.uk



www.charltonandjenrick.co.uk



@cJfires



www.facebook.com/cJfires

Charlton & Jenrick LTD

Best of British fires, fireplaces & stoves